

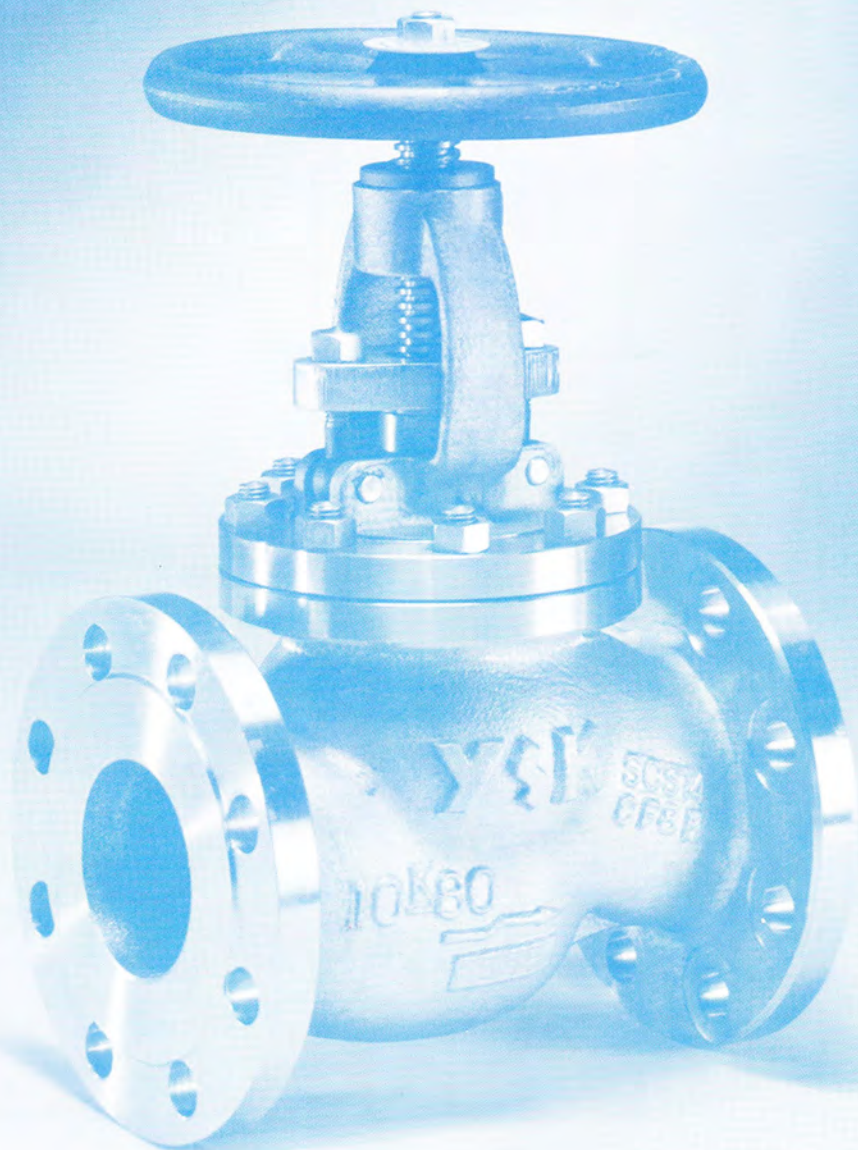
頁	修正箇所	誤	正
3	MATERIALS／Parts Name	ASBESTOS	SEAT TYPE (JIS 10K Class 150)
4			
6			
7			
8			
9			

※本正誤表は、2021年5月末日時点のものです。

YSK

STAINLESS STEEL VALVE

GLOBE VALVE/GATE VALVE/CHECK VALVE/STRAINER



八阪バルブ工業株式会社

		グローブ弁 GLOBE VALVE	ニードル弁 NEEDLE VALVE	アングル弁 ANGLE VALVE	Y形弁 Y PATTERN VALVE	ゲート弁 GATE VALVE	Y形タンク弁 FLUSH BOTTOM TANK VALVE	スイング逆止弁 SWING CHECK VALVE	リフト逆止弁 LIFT CHECK VALVE	ウエハータイプインライン逆止弁 WAFFER TYPE INLINE CHECK VALVE	Y形ストレーナ Y PATTERN STRAINER
接続形式 CONNECTION	フランジ形 Flange Type	<input type="checkbox"/>	<input type="checkbox"/>	<input type="checkbox"/>	<input type="checkbox"/>	<input type="checkbox"/>	<input type="checkbox"/>	<input type="checkbox"/>	<input type="checkbox"/>	<input type="checkbox"/>	<input type="checkbox"/>
	ソケット ウェルド形 Socket Weld Type	<input type="checkbox"/>	<input type="checkbox"/>	<input type="checkbox"/>	<input type="checkbox"/>	<input type="checkbox"/>	<input type="checkbox"/>	<input type="checkbox"/>	<input type="checkbox"/>	<input type="checkbox"/>	<input type="checkbox"/>
	バット ウェルド形 Butt Weld Type	<input type="checkbox"/>	<input type="checkbox"/>	<input type="checkbox"/>	<input type="checkbox"/>	<input type="checkbox"/>	<input type="checkbox"/>	<input type="checkbox"/>	<input type="checkbox"/>	<input type="checkbox"/>	<input type="checkbox"/>
	ねじ込形 Screw end Type	<input type="checkbox"/>	<input type="checkbox"/>	<input type="checkbox"/>	<input type="checkbox"/>	<input type="checkbox"/>	<input type="checkbox"/>	<input type="checkbox"/>	<input type="checkbox"/>	<input type="checkbox"/>	<input type="checkbox"/>
圧力 レーティング Pressure Ratings	JIS 10 kgf/cm ²	<input type="checkbox"/>	<input type="checkbox"/>	<input type="checkbox"/>	<input type="checkbox"/>	<input type="checkbox"/>	<input type="checkbox"/>	<input type="checkbox"/>	<input type="checkbox"/>	<input type="checkbox"/>	<input type="checkbox"/>
	JIS 20 kgf/cm ²	<input type="checkbox"/>	<input type="checkbox"/>	<input type="checkbox"/>	<input type="checkbox"/>	<input type="checkbox"/>	<input type="checkbox"/>	<input type="checkbox"/>	<input type="checkbox"/>	<input type="checkbox"/>	<input type="checkbox"/>
	JIS 30 kgf/cm ²	<input type="checkbox"/>	<input type="checkbox"/>	<input type="checkbox"/>	<input type="checkbox"/>	<input type="checkbox"/>	<input type="checkbox"/>	<input type="checkbox"/>	<input type="checkbox"/>	<input type="checkbox"/>	<input type="checkbox"/>
	JIS 40 kgf/cm ²	<input type="checkbox"/>	<input type="checkbox"/>	<input type="checkbox"/>	<input type="checkbox"/>	<input type="checkbox"/>	<input type="checkbox"/>	<input type="checkbox"/>	<input type="checkbox"/>	<input type="checkbox"/>	<input type="checkbox"/>
	JIS 63 kgf/cm ²	<input type="checkbox"/>	<input type="checkbox"/>	<input type="checkbox"/>	<input type="checkbox"/>	<input type="checkbox"/>	<input type="checkbox"/>	<input type="checkbox"/>	<input type="checkbox"/>	<input type="checkbox"/>	<input type="checkbox"/>
	AUSI/API class 150	<input type="checkbox"/>	<input type="checkbox"/>	<input type="checkbox"/>	<input type="checkbox"/>	<input type="checkbox"/>	<input type="checkbox"/>	<input type="checkbox"/>	<input type="checkbox"/>	<input type="checkbox"/>	<input type="checkbox"/>
	300	<input type="checkbox"/>	<input type="checkbox"/>	<input type="checkbox"/>	<input type="checkbox"/>	<input type="checkbox"/>	<input type="checkbox"/>	<input type="checkbox"/>	<input type="checkbox"/>	<input type="checkbox"/>	<input type="checkbox"/>
	600	<input type="checkbox"/>	<input type="checkbox"/>	<input type="checkbox"/>	<input type="checkbox"/>	<input type="checkbox"/>	<input type="checkbox"/>	<input type="checkbox"/>	<input type="checkbox"/>	<input type="checkbox"/>	<input type="checkbox"/>
900	<input type="checkbox"/>	<input type="checkbox"/>	<input type="checkbox"/>	<input type="checkbox"/>	<input type="checkbox"/>	<input type="checkbox"/>	<input type="checkbox"/>	<input type="checkbox"/>	<input type="checkbox"/>	<input type="checkbox"/>	
1500	<input type="checkbox"/>	<input type="checkbox"/>	<input type="checkbox"/>	<input type="checkbox"/>	<input type="checkbox"/>	<input type="checkbox"/>	<input type="checkbox"/>	<input type="checkbox"/>	<input type="checkbox"/>	<input type="checkbox"/>	
2500	<input type="checkbox"/>	<input type="checkbox"/>	<input type="checkbox"/>	<input type="checkbox"/>	<input type="checkbox"/>	<input type="checkbox"/>	<input type="checkbox"/>	<input type="checkbox"/>	<input type="checkbox"/>	<input type="checkbox"/>	
操作方式 OPERATION	ギヤハンドル Handle Gear	<input type="checkbox"/>	<input type="checkbox"/>	<input type="checkbox"/>	<input type="checkbox"/>	<input type="checkbox"/>	<input type="checkbox"/>	<input type="checkbox"/>	<input type="checkbox"/>	<input type="checkbox"/>	<input type="checkbox"/>
	エアシリンダ AIR Cylinder	<input type="checkbox"/>	<input type="checkbox"/>	<input type="checkbox"/>	<input type="checkbox"/>	<input type="checkbox"/>	<input type="checkbox"/>	<input type="checkbox"/>	<input type="checkbox"/>	<input type="checkbox"/>	<input type="checkbox"/>
	電動モータ Electric Motor	<input type="checkbox"/>	<input type="checkbox"/>	<input type="checkbox"/>	<input type="checkbox"/>	<input type="checkbox"/>	<input type="checkbox"/>	<input type="checkbox"/>	<input type="checkbox"/>	<input type="checkbox"/>	<input type="checkbox"/>
特殊仕様 Special use	ベローシール Bellows Seal	<input type="checkbox"/>	<input type="checkbox"/>	<input type="checkbox"/>	<input type="checkbox"/>	<input type="checkbox"/>	<input type="checkbox"/>	<input type="checkbox"/>	<input type="checkbox"/>	<input type="checkbox"/>	<input type="checkbox"/>
	テフロンディスク PTFE Disc	<input type="checkbox"/>	<input type="checkbox"/>	<input type="checkbox"/>	<input type="checkbox"/>	<input type="checkbox"/>	<input type="checkbox"/>	<input type="checkbox"/>	<input type="checkbox"/>	<input type="checkbox"/>	<input type="checkbox"/>
	ジャケットバルブ Jacket	<input type="checkbox"/>	<input type="checkbox"/>	<input type="checkbox"/>	<input type="checkbox"/>	<input type="checkbox"/>	<input type="checkbox"/>	<input type="checkbox"/>	<input type="checkbox"/>	<input type="checkbox"/>	<input type="checkbox"/>
	超低温用 Cryogenic Service	<input type="checkbox"/>	<input type="checkbox"/>	<input type="checkbox"/>	<input type="checkbox"/>	<input type="checkbox"/>	<input type="checkbox"/>	<input type="checkbox"/>	<input type="checkbox"/>	<input type="checkbox"/>	<input type="checkbox"/>

適用規格 Conformed Standards

接続 Connections	フランジ Flange	JIS B2212, B2214, B2215, B2216, B2217(JIS 10k~63k 鋼製管フランジの基準寸法)
		ANSI B16.5 Pipe Flanges and Flanged Fittings.
	溶接継手 Welding	ANSI B16.25 Butt Welding Ends, B16.11
ねじ継手 Screw	JIS B0203 管用テーパねじ	
圧力・温度基準 Pressure-Temperature Ratings	ANSI B16.5 Pipe Flanges and Flanged Fittings.	
面間寸法 Face to Face	JIS B2002バルブの面間寸法	
	ANSI B16.10 Face to Face and End to End Dimensions	
試験・検査基準 Inspection Test	JIS B2003バルブ検査通則	
	API 598 Valves Inspection and Test, MSS-SP61 Hydrostatic Testing of Steel Valves.	

- カタログに記載の製品仕様は改良のため変更する場合がありますのでご了承ください。
- Design is subject to change without notice.

圧力-温度基準 Pressure-Temperature Ratings

Class	150			300			600			900			1500			2500		
	Material Class	18-8 SMO	18-8 SMO ELC	18-8 SMO	18-8 SMO ELC	18-8 SMO ELC	18-8 SMO	18-8 SMO ELS	18-8 SMO ELS	18-8 SMO	18-8 SMO ELS	18-8 SMO ELS	18-8 SMO	18-8 SMO ELS	18-8 SMO ELS	18-8 SMO	18-8 SMO ELS	18-8 SMO ELS
Temperature	304	316	304L 316L	304	316	304L 316L	304	316	304L 316L	304	316	304L 316L	304	316	304L 316L	304	316	304L 316L
-29~38	19.0	19.0	15.9	49.6	49.6	41.4	99.3	99.3	82.7	148.9	148.9	124.1	248.2	248.2	206.8	413.6	413.6	344.6
50	18.4	18.4	15.3	47.8	48.1	40.0	95.7	96.3	79.9	143.5	144.4	119.9	239.2	240.6	199.8	398.6	401.0	333.0
100	15.7	16.2	13.2	40.9	42.2	34.5	81.8	84.4	69.0	122.6	126.6	103.5	204.4	211.0	172.4	340.7	351.7	287.4
150	13.9	14.8	12.0	36.3	38.5	31.2	72.7	77.0	62.5	109.0	115.5	93.7	181.7	192.5	156.1	302.8	320.9	260.2
200	12.6	13.7	11.0	32.8	35.7	28.7	65.5	71.3	57.4	98.3	107.0	86.1	163.8	178.4	143.5	273.0	297.3	239.1
250	11.7	12.1	10.2	30.5	33.4	26.7	61.1	66.8	53.4	91.6	100.2	80.1	152.7	166.9	133.5	254.5	278.2	222.5
300			9.7	29.1	31.6	25.2	58.1	63.3	50.5	87.2	94.9	75.7	145.3	158.1	126.2	242.1	263.6	210.4
350	10.2		8.4	28.1	30.4	24.0	56.1	60.8	48.1	84.2	91.3	72.1	140.3	152.1	120.2	233.8	253.8	200.4
375	8.4		7.4	27.8	29.7	23.6	55.5	59.4	47.2	83.3	89.1	70.8	138.8	148.5	118.0	231.3	247.5	196.7
400	7.4		6.5	27.5	29.1	23.2	54.9	58.2	46.3	82.4	87.3	69.5	137.3	145.6	115.8	228.9	242.6	192.9
425	6.5		5.6	27.2	28.7	22.7	54.3	57.3	45.4	81.5	86.0	68.1	135.8	143.3	113.5	226.4	238.9	189.2
450	5.6		4.7	26.9	28.1	22.3	53.7	56.2	44.5	80.6	84.2	66.8	134.3	140.4	111.3	223.9	234.0	185.5
475	4.7			26.6	27.4		53.1	54.7		79.7	82.1		132.8	136.8		221.4	228.0	
500	3.7			26.1	26.8		52.1	53.7		78.2	80.5		130.2	134.1		217.2	223.6	
525	2.8			23.9	25.8		47.8	51.6		71.6	77.4		119.4	129.0		199.0	214.9	
550	1.9			21.8	25.0		43.6	49.9		65.4	74.9		109.1	124.8		181.6	208.0	
575	1.3			20.1	24.1		40.1	48.2		60.2	72.3		100.4	120.5		167.3	200.8	
600				16.7	21.4		33.4	42.9		50.1	64.3		83.6	107.2		139.3	178.6	
625				13.1	18.3		26.2	36.5		39.2	54.8		65.4	91.3		109.0	152.1	
650				10.5	14.1		21.0	28.2		31.6	42.4		52.6	70.6		87.6	117.7	
675				7.8	12.6		15.5	25.3		23.3	37.9		38.8	63.2		64.6	105.3	
700				6.0	9.9		12.0	19.9		17.9	29.8		29.9	49.7		49.8	82.9	
725				4.6	7.7		9.3	15.4		13.9	23.1		23.1	38.5		38.5	64.2	
750				3.7	5.9		7.3	11.0		11.0	17.6		18.3	29.4		30.4	49.0	
775				2.8	4.6		5.6	9.1		8.4	13.7		14.0	22.8		23.3	36.0	
800				2.1	3.5		4.1	7.0		6.2	10.5		10.3	17.5		17.1	29.2	

ボディ材質 Body Materials

Material Class	JIS		ASTM		
	Casting	Forging/bar	Casting	Forging	Bar
18-8	SCS13	SUS304	A351 Gr. CF8	A182 F304	A497 Type304
18-8-SMO	SCS14	SUS316	Gr. CF8M	F316	Type316
18-8-SMO-ELC	SCS16	SUS316L	Gr. CF3M	F316L	Type316L

■上記材質の他SCS19(CF3), SCS21(CF8C), SCS23(CN7M), Hastelloy, Titan, Inconel, Nikel等の場合も製作致します。

■Besides the above materials, Valves can also be Supplied with other materials as such SCS19(CF3), SCS21(SF8C), SCS23(CN7M), Hastelloy, Titan, Inconel, Nikel etc. on request.

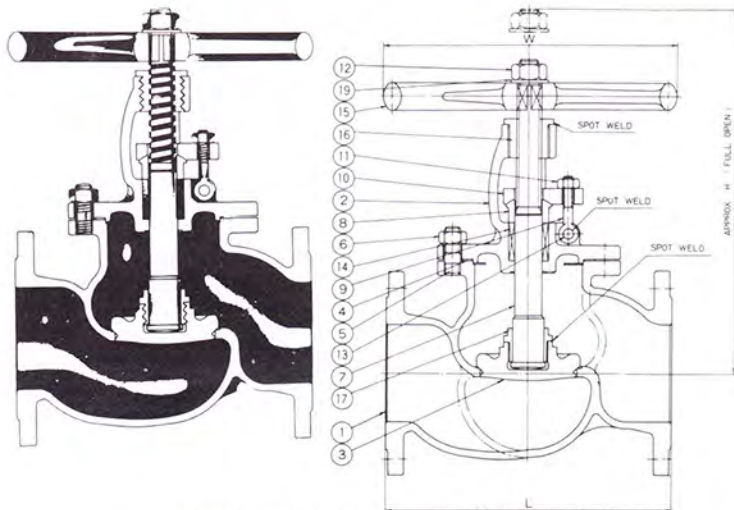
試験圧力 Test Pressure (kgf/cm²) 水圧(Hydrostatic)

Class	Test	JIS					ANSI					
		10kgf/cm ²	20	30	40	63	150	300	600	900	1500	2500
弁箱耐圧試験 Shell Test	24	58	90	120	131	30	65	132	186	327	548	
弁座漏れ試験 Seat Test	15	40	53	71	95	21	44	88	130	218	362	
逆座漏れ試験 Back Seat Test	15	40	53	71	95	21	44	88	130	218	362	

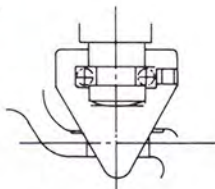
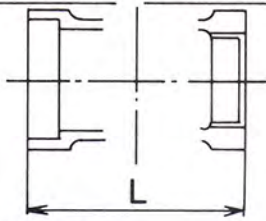
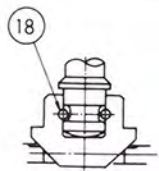
グローブ弁 GLOBE VALVE ニードルバルブ NEEDLE VALVE

SIZE 15A~40A Class JIS 10k. 20k. 30k. ANSI/API 150, 300

JIS 10k. Class 150



Socket Weld Type Screw end Type



Needle Valve

DIMENSIONS JIS 10k. Class 150.

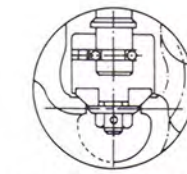
SIZE	L	H	W
1/2 in 15 mm	4 1/4 in 108 mm	6 3/16 in 176 mm	4 in 100 mm
3/4	20 4 3/8 117	7 178	4 100
1	25 5 127	7 1/8 180	4 100
1 1/4	32 5 1/2 140	8 3/8 211	5 1/2 140
1 1/2	40 6 1/2 165	8 5/8 211	5 1/2 140

DIMENSIONS JIS 20k. 30k. Class 300

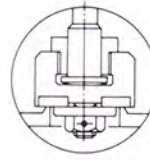
SIZE	L	H	W
1/2 in 15 mm	6 in 152 mm	7 1/8 in 181 mm	4 in 100 mm
3/4	20 7 178	8 3/8 208	5 1/2 140
1	25 8 203	8 3/8 208	5 1/2 140
1 1/4	32 8 1/2 216	9 1/8 237	6 3/8 160
1 1/2	40 9 229	9 1/8 237	6 3/8 160

MATERIALS

No.	Parts Name	Material
1	Body	CF-8(SCS13)/CF-8M(SCS14)
2	Bonnet	CF-8(SCS13)/CF-8M(SCS14)
3	Disc	304 316
4	Gasket	ASBESTOS(JIS 10k. Class 150) SPIRAL WOUND TYPE(JIS 20k. 30k. Class 300)
5	Bonnet Bolt	403
6	Nut	A36(SS41) (Unichrome Plated)
7	Stem	304 316
8	Gland	304 316
9	Gland Bolt	304
10	Gland Flange	AISI.1025(S25C) (Unichrome Plated)
11	Nut	304
12	Nut	A36(SS41) (Unichrome Plated)
13	Pin	304
14	Packing	ASBESTOS WITH TEFLON
15	Hand Wheel	MALLEABLE IRON(FCMB28)
16	Sleeve	403-Nitrated
17	Disc Nut	304 316
18	Pin	304 316
19	Name Plate	ALUMINIUM



PTFE 15A~40A

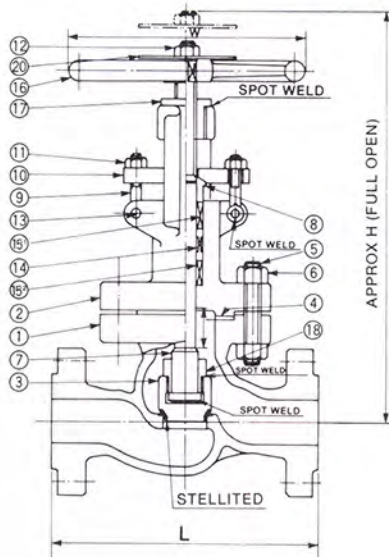


PTFE 50A & LARGER

15A~40A(JIS 10k. Class 150)

15A~25A(JIS 20k. 30k. Class 300)

SIZE 15A~40A Class JIS 40k. 63k ANSI/API 600, 900, 1500



DIMENSIONS JIS 40k. Class 600

SIZE	L	H	W
1/2 in 15 mm	6 1/2 in 165 mm	12 3/8 in 310 mm	5 1/2 in 140 mm
3/4	20 7 1/2 190	12 3/8 310	7 1/8 180
1	25 8 1/2 216	13 3/8 335	7 1/8 200
1 1/4	32 9 229	16 1/8 420	8 3/8 224
1 1/2	40 9 1/2 241	16 1/8 420	8 3/8 224

DIMENSIONS JIS 63k. Class 900

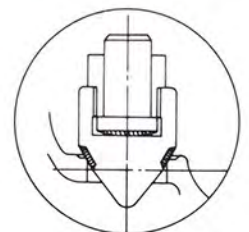
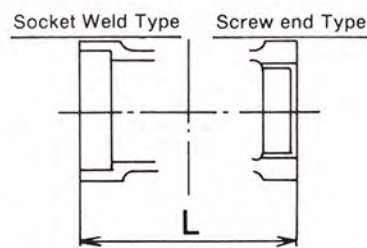
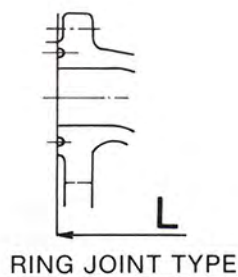
SIZE	L	H	W
1/2 in 15 mm	8 1/2 in 216 mm	12 3/8 in 315 mm	6 3/8 in 160 mm
3/4	20 9 229	12 3/8 320	8 200
1	25 10 254	13 3/8 350	8 3/8 224
1 1/4	32 11 279	18 1/2 470	9 3/8 250
1 1/2	40 12 305	18 1/2 470	9 3/8 250

DIMENSIONS Class 1500

SIZE	L	H	W
1/2 in 15 mm	8 1/2 in 216 mm	13 3/8 in 355 mm	7 1/8 in 180
3/4	20 9 229	15 3/8 397	7 1/8 200
1	25 10 254	17 1/8 450	8 3/8 224
1 1/4	32 11 279	19 3/8 500	14 355
1 1/2	40 12 305	19 3/8 500	14 355

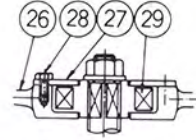
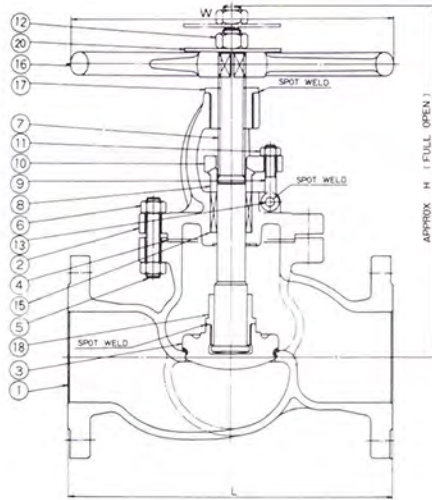
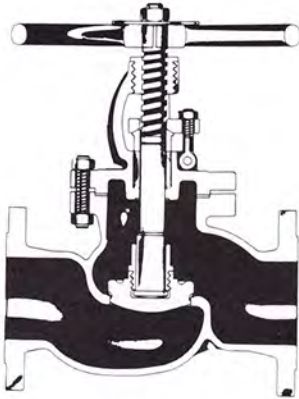
MATERIALS

No.	Parts Name	Material
1	Body	CF-8(SCS13)/CF-8M(SCS14)
2	Bonnet	CF-8(SCS13)/CF-8M(SCS14)
3	Disc	304 316
4	Gasket	SPIRAL WOUND TYPE RING JOINT(Class 1500)
5	Bonnet Bolt	A193 B7(SNB7) (Unichrome Plated)
6	Nut	A194 2H(S45C) (Unichrome Plated)
7	Stem	304 316
8	Gland	304 316
9	Gland Bolt	304
10	Gland Flange	AISI1025(S25C) (Unichrome Plated)
11	Nut	304
12	Handle Nut	A36(SS41) (Unichrome Plated)
13	Pin	304
14	Lantern Ring	304 316
15	Packing	GRAPHITED ASBESTOS PACKING
16	Hand Wheel	MALLEABLE IRON(FCMB28)
17	Sleeve	403-Nitrated
18	Disc Nut	304 316
20	Name Plate	ALUMINIUM

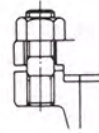


15A~25A
(JIS 40k. 63k. Class 600, 900)

JIS 20k. Class 300



200A(JIS 20k. 30k. Class 300)



50A(JIS 20k. 30k. Class 300)

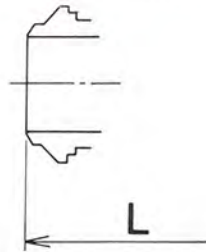
DIMENSIONS JIS 10k. Class 150

SIZE	L	H	W
2 in ¹⁾ 50 ^{mm}	8 in ²⁾ 203 ^{mm}	9 3/8 in ³⁾ 237 ^{mm}	6 3/8 in ⁴⁾ 160 ^{mm}
2 1/2	65 8 1/2 216	11 1/8 280	6 1/8 180
3	80 9 1/2 241	12 3/8 312	7 1/8 200
4	100 11 1/2 292	13 3/8 352	9 3/8 250
5	125 14 356	15 1/8 398	9 3/8 250
6	150 16 406	18 1/8 460	14 355
8	200 19 1/2 495	21 3/8 549	17 3/8 450

DIMENSIONS JIS 20k. 30k. Class 300

SIZE	L	H	W
2 in ¹⁾ 50 ^{mm}	10 1/2 in ²⁾ 267 ^{mm}	11 1/4 in ³⁾ 285 ^{mm}	7 1/8 in ⁴⁾ 180 ^{mm}
2 1/2	65 11 1/2 292	12 3/8 325	8 7/8 224
3	80 12 1/2 318	14 3/8 370	9 3/8 250
4	100 14 356	17 1/2 445	14 355
5	125 15 3/4 400	19 1/2 495	15 3/4 400
6	150 17 1/2 444	21 3/8 554	17 3/8 450
8	200 22 559	24 3/8 630	17 3/8 450

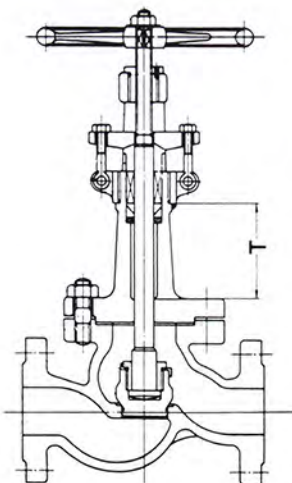
Butt Weld Type



MATERIALS

No.	Parts Name	Material
1	Body	CF-8(SCS13)CF-8M(SCS14)
2	Bonnet	CF-8(SCS13)CF-8M(SCS14)
3	Disc	CF-8(SCS13)CF-8M(SCS14)
4	Gasket	ASBESTOS(JIS 10k. Class 150) SPIRAL WOUND TYPE(JIS 20k. 30k. Class 300)
5	Bonnet Bolt	403
6	Nut	A36(SS41) (Inchrome Plated)
7	Stem	304 316
8	Gland	304 316
9	Gland Bolt	304
10	Gland Flange	AISI1025(S25C) (Inchrome Plated)
11	Nut	304
12	Nut	A36(SS41) (Inchrome Plated)
13	Pin	304 (Inchrome Plated)
14		
15	Packing	ASBESTOS WITH TEFLON
16	Hand Wheel	MALLEABLE IRON(FCMB28)
17	Yoke Sleeve	403-Nitrated
18	Disc Nut	304 316
20	Name Plate	ALUMINIUM
26	Hand Wheel	CARBON STEEL IRON(SC49)
27	Handle Cover	A36(SS41) (Inchrome Plated)
28	Bolt	A36(SS41) (Inchrome Plated)
29	Shock Bush	CARBON STEEL IRON(SC49)

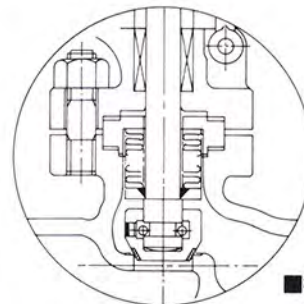
ロングボンネットタイプ Long Bonnet Type



DIMENSIONS

SIZE	T			
	inch	mm	>-45°C	>-196°C
1/2 in ¹⁾	15 ^{mm}	2 3/8 in ²⁾	75 ^{mm}	5 1/2 in ³⁾ 130 ^{mm}
3/4	20	2 3/8	75	5 1/2 140
1	25	2 3/8	75	5 1/2 140
1 1/4	32	3 1/2	85	5 3/8 150
1 1/2	40	3 1/2	85	5 3/8 150
2	50	3 1/2	85	6 3/8 160
2 1/2	65	3 1/2	85	6 3/8 170
3	80	3 1/2	90	7 3/8 180
4	100	3 3/4	95	7 3/8 180
5	125	3 3/4	95	7 3/8 190
6	150	3 3/4	95	7 3/8 200
8	200	3 3/4	100	8 3/4 210

ベローシールタイプ Bellows Seal Type

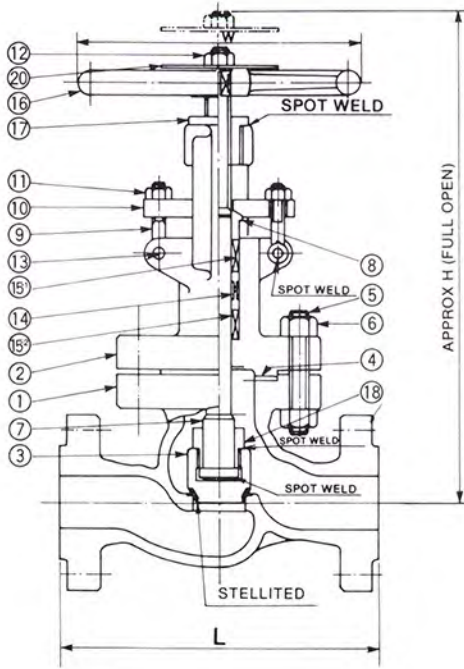


Material
SUS304
SUS316
Inconel 718

■標準は成形ベローズですが、溶接ベローズも製作致します。
 ■Holdod bellows is standard, welded Bellows is also AvailBlo.

グローブ弁 GLOBE VALVE

SIZE 50A~200A Class ANSI/API 600

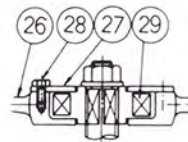


DIMENSIONS

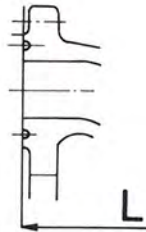
SIZE	L		(Ring Joint) L ₁		H		W		
2 in	50 ^{mm}	11 1/2 in	292 ^{mm}	11 1/2 in	295 ^{mm}	17 3/8 in	442 ^{mm}	9 1/2 in	250 ^{mm}
2 1/2	65	13	330	13 1/4	333	18 1/4	475	11 1/4	300
3	80	14	356	14 1/4	359	20 1/8	525	14	355
4	100	17	432	17 1/4	435	24 1/8	630	15 1/4	400
5	125	20	508	20 1/4	511	29	737	22 1/8	560
6	150	22	559	22 1/4	562	34 1/4	870	23 3/8	600
8	200	26	660	26 1/4	664	39 3/8	1000	25 3/8	650

MATERIALS

No.	Parts Name	Material
1	Body	CF-8(SCS13)CF-8M(SCS14)
2	Bonnet	CF-8(SCS13)CF-8M(SCS14)
3	Disc	CF-8(SCS13)CF-8M(SCS14)
4	Gasket	SPIRAL WOUND TYPE
5	Bonnet Bolt	B7(SNB7) (Inchrome Plated)
6	Nut	2H(S45C) (Inchrome Plated)
7	Stem	304 316
8	Gland	304 316
9	Gland Bolt	304
10	Gland Flange	AISI1025(S25C) (Inchrome Plated)
11	Nut	304
12	Nut	A36(SS41) (Inchrome Plated)
13	Pin	304
14	Lantern Ring	304 316
15-1	Packing	GRAPHITED BRAIDED METAL WIRE PACKING
15-2	Packing	GRAPHITED ASBESTOS PACKING
16	Hand Wheel	MALLEABLE IRON(FCMB28)
17	Yoke Sleeve	403-Nitrated
18	Disc Nut	304 316
20	Name Plate	ALUMINIUM
26	Hand Wheel	CARBON STEEL IRON(SC49)
27	Handle Cover	A36(SS41) (Inchrome Plated)
28	Bolt	A36(SS41) (Inchrome Plated)
29	Shock Bush	CARBON STEEL IRON(SC49)

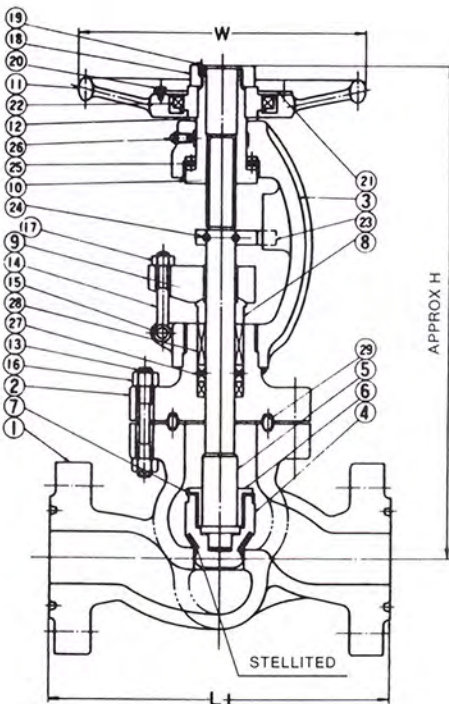


150A & Larger



Ring Joint Type

SIZE 50A~200A Class ANSI/API 900



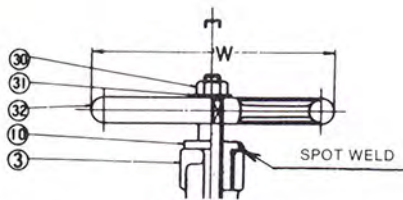
Ring Joint Type

DIMENSIONS

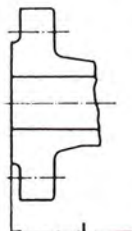
SIZE	L		(Ring Joint) L ₁		H		W		
2 in	50 ^{mm}	14 1/2 in	368 ^{mm}	14 3/8 in	371 ^{mm}	18 3/8 in	465 ^{mm}	11 1/2 in	300 ^{mm}
2 1/2	65	16 1/2	419	16 5/8	422	20 1/4	515	15 1/2	400
3	80	15	381	15 1/8	384	22 1/4	565	15 3/4	400
4	100	18	457	18 1/8	460	30 1/4	780	15 3/4	500
5	125	22	559	22 1/8	562	34 1/4	870	19 1/4	600
6	150	24	610	24 1/8	613	37 3/8	950	23 3/8	650
8	200	29	737	29 1/8	740	47 1/4	1200	29 1/2	750

MATERIALS

No.	Parts Name	Material
1	Body	CF-8(SCS13)CF-8M(SCS14)
2	Bonnet	CF-8(SCS13)CF-8M(SCS14)
3	Yoke	CARBON STEEL IRON(SC49)
4	Disc	CF-8(SCS13)CF-8M(SCS14)
5	Stem	304 316
6	Disc Nut	304 316
7	Lock Plate	304 316
8	Gland	304 316
9	Gland Flange	AISI1025(S25C) (Inchrome Plated)
10	Yoke Sleeve	403-Nitrated
11	Hand Wheel	CARBON STEEL IRON(SC49)
12	Washer	403-Nitrated
13	Bonnet Bolt	B7(SNB7) (Inchrome Plated)
14	Gland Bolt	304
15	Pin	304
16	Nut	2H(S45C) (Inchrome Plated)
17	Nut	304
18	Lock Nut	A36(SS41) (Inchrome Plated)
20	Bolt	A36(SS41) (Inchrome Plated)
21	Handle Cover	A36(SS41) (Inchrome Plated)
22	Shock Bush	CARBON STEEL IRON(SC49)
23	Stem Guide	A36(SS41) (Inchrome Plated)
24	Taper Pin	403
25	Thrust Bearing	A295(SUJ)
26	Grease Nipple	CARBON STEEL(S20C) (Inchrome Plated)
27	Lantern Ring	304 316
28	Packing	GRAPHITED BRAIDED METAL WIRE PACKING
29	Gasket	RING JOINT
30	Nut	A36(SS41) (Inchrome Plated)
31	Name Plate	ALUMINIUM
32	Hand Wheel	MALLEABLE IRON(FCMB28)



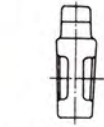
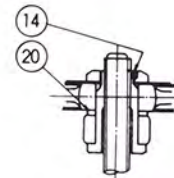
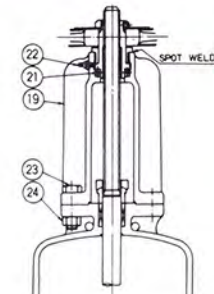
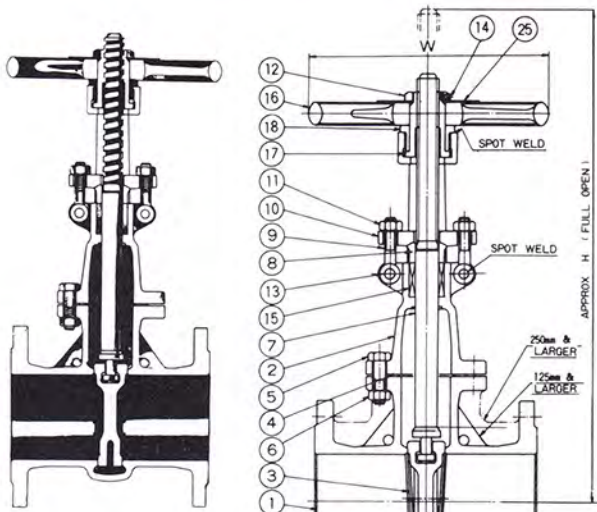
80A & Smaller



RF. Flange Type

ゲートバルブ GATE VALVE

SIZE 15A~300A Class JIS 10k. ANSI/API 150



40A & Smaller

25A & Smaller

250A & Larger

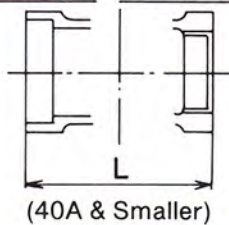
MATERIALS

No.	Parts Name	Material
1	Body	CF-8(SCS13) CF-8M(SCS14)
2	Bonnet	CF-8(SCS13) CF-8M(SCS14)
3	Disc	CF-8(SCS13) CF-8M(SCS14)
4	Gasket	ASBESTOS
5	Bonnet Bolt	A36(SS41) (Unichrome Plated)
6	Nut	A36(SS41) (Unichrome Plated)
7	Stem	304 316
8	Gland	304 316
9	Gland Bolt	304
10	Gland Flange	AISI 1025(S25C) (Unichrome Plated)
11	Nut	304
12	Handle Nut	A36(SS41) (Unichrome Plated)
13	Pin	304
14	Set Screw	A36(SS41)
15	Packing	ASBESTOS WITH TEFLON
16	Hand Wheel	MALLEABLE IRON(FCMB28)
17	Yoke Sleeve	403-Nitrated
18	Sleeve Nut	403
19	Yoke	DUCTILE IRON(FCD40)
20	Washer	403-Nitrated
21	Thrust Bearing	CARBON STEEL(S20C) (Unichrome Plated)
22	Grease Nipple	A295(SUJ)
23	Yoke Bolt	A36(SS41) (Unichrome Plated)
24	Nut	A36(SS41) (Unichrome Plated)
25	Name Plate	ALUMINIUM

DIMENSIONS JIS 10k. Class 150

SIZE	L			(Butt Weld) L ₁	H			W	
1/2"	15	4 1/4"	108		8 1/4"	214	4	100	
3/4"	20	4 3/4"	117		8 3/4"	214	4	100	
1"	25	5	127		8 3/4"	227	4	100	
1 1/4"	32	5 1/2"	140		10 1/4"	257	5 1/2"	140	
1 1/2"	40	6 1/2"	165		10 3/4"	264	5 1/2"	140	
2"	50	7	178	8 1/2"	216	12 1/2"	308	6 3/4"	160
2 1/2"	65	7 1/2"	190	9 1/2"	241	14 1/4"	357	7 1/4"	180
3"	80	8	203	11 1/4"	283	16 1/4"	417	8	200
4"	100	9	229	12	305	20	508	8 1/2"	224
5"	125	10	254	15	381	24 1/4"	619	11	280
6"	150	10 1/2"	267	15 1/4"	403	28 1/2"	728	11 3/4"	300
8"	200	11 1/2"	292	16 1/2"	419	36 1/4"	923	14	355
10"	250	13	330	18	457	43	1117	15 1/4"	400
12"	300	14	356	19 1/4"	502	51 1/4"	1317	17 1/2"	450

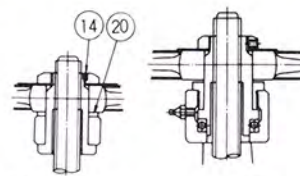
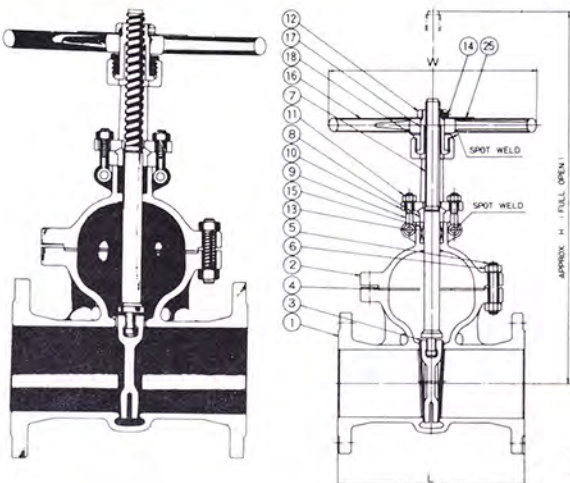
Socket Weld Type Screw end Type



(40A & Smaller)

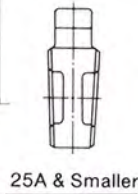
Butt Weld Type (50A & Larger)

SIZE 15A~300A Class JIS 20k. 30k. ANSI/API 300

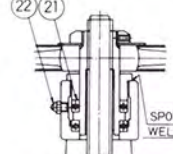


25A & Smaller

150A~200A



25A & Smaller



250A & Larger

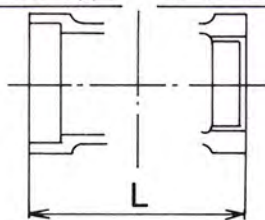
DIMENSIONS JIS 20k. 30k. Class 300

SIZE	L			H			W
1/2"	15	5 1/2"	140	8 1/2"	216	4	100
3/4"	20	6	152	8 3/4"	225	4	100
1"	25	6 1/2"	165	9 1/4"	250	5 1/2"	140
1 1/4"	32	7	178	12 1/4"	308	6 3/4"	160
1 1/2"	40	7 1/2"	190	12 3/4"	308	6 3/4"	160
2"	50	8 1/2"	216	13 1/4"	333	7 1/4"	200
2 1/2"	65	9 1/2"	241	14 1/4"	378	7 1/4"	200
3"	80	11 1/4"	283	17 1/4"	433	9 1/4"	250
4"	100	12	305	21 1/4"	537	11 1/4"	300
5"	125	15	381	24 1/4"	631	11 1/4"	300
6"	150	15 1/4"	403	29 1/4"	758	15 1/4"	400
8"	200	16 1/2"	419	37 1/4"	950	17 1/4"	450
10"	250	18	457	44 1/4"	1138	22 1/4"	560
12"	300	19 1/4"	502	52 1/4"	1329	23 1/4"	600

MATERIALS

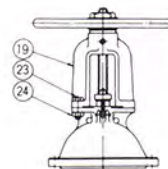
No.	Parts Name	Material
1	Body	CF-8(SCS13) CF-8M(SCS14)
2	Bonnet	CF-8(SCS13) CF-8M(SCS14)
3	Disc	CF-8(SCS13) CF-8M(SCS14)
4	Gasket	SPIRAL WOUND TYPE Asbestos
5	Bonnet Bolt	403
6	Nut	A36(SS41) (Unichrome Plated)
7	Stem	304 316
8	Gland	304 316
9	Gland Bolt	304
10	Gland Flange	AISI 1025(S25C) (Unichrome Plated)
11	Nut	304
12	Handle Nut	A36(SS41) (Unichrome Plated)
13	Pin	304
14	Set Screw	A36(SS41)
15	Packing	ASBESTOS WITH TEFLON
16	Hand Wheel	MALLEABLE IRON(FCMB28)
17	Yoke Sleeve	403-Nitrated
18	Sleeve Nut	403
19	Yoke	DUCTILE IRON(FCD40)
20	Washer	403-Nitrated
21	Thrust Bearing	A295(SUJ)
22	Grease Nipple	CARBON STEEL(S20C) (Unichrome Plated)
23	Yoke Bolt	A36(SS41) (Unichrome Plated)
24	Nut	A36(SS41) (Unichrome Plated)
25	Name Plate	ALUMINIUM

Socket Weld Type Screw end Type



40A & Smaller

Butt Weld Type (50A & Larger)



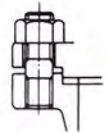
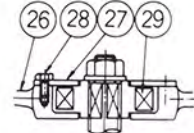
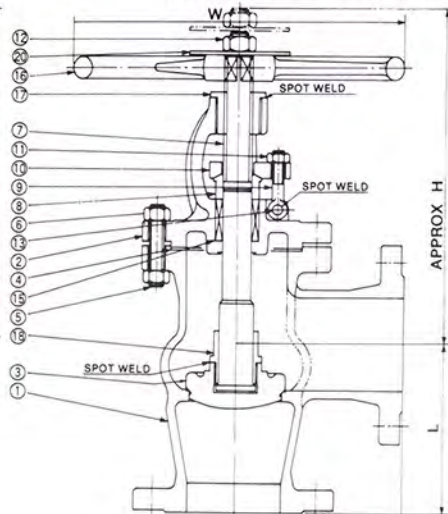
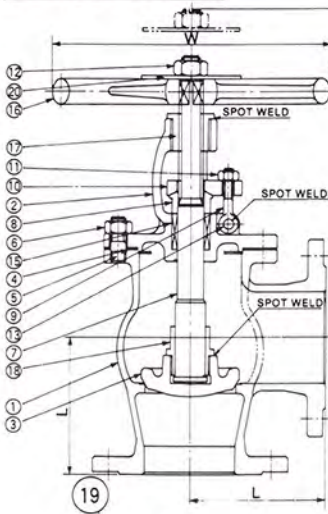
250A & Larger

アングルバルブ ANGLE VALVE Y形弁 Y PATTERN VALVE

アングルバルブ ANGLE VALVE SIZE 1/2"~8" Class JIS 10k. 20k. 30k. ANSI/API 150, 300

JIS 10k. Class 150

JIS 20k. 30k. Class 300



200A

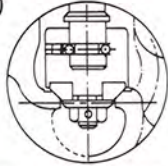
50A & Smaller

(JIS 20k. 30k. Class 300)

MATERIALS

No.	Parts Name	Material
1	Body	CF-8(SCS13)/CF-8M(SCS14)
2	Bonnet	CF-8(SCS13)/CF-8M(SCS14)
3	Disc	CF-8(SCS13)/CF-8M(SCS14)
4	Gasket	ASBESTOS(JIS 10k Class 150) SPIRAL WOUND TYPE(JIS 20k 30k Class 300)
5	Bonnet Bolt	403
6	Nut	A36(SS41) (Unichrome Plated)
7	Stem	304 316
8	Gland	304 316
9	Gland Bolt	304
10	Gland Flange	AISI1025(S25C) (Unichrome Plated)
11	Nut	304
12	Nut	A36(SS41) (Unichrome Plated)
13	Pin	304
15	Packing	ASBESTOS WITH TEFLON
16	Hand Wheel	MALLEABLE IRON(FCMB28)
17	Yoke Sleeve	403-Nitrated
18	Disc Nut	304 316
19	Pin	304 316
20	Name Plate	ALUMINIUM
26	Hand Wheel	CARBON STEEL IRON(SC49)
27	Handle Cover	A36(SS41) (Unichrome Plated)
28	Bolt	A36(SS41) (Unichrome Plated)
29	Shock Bush	CARBON STEEL IRON(SC49)

15A~40A
(JIS 10k. Class 150)
15A~25A(JIS 20k. 30k. Class 300)



PTFF 15A~40A

DIMENSIONS JIS 10k. Class 150

SIZE	L	H	W
1/2 in	15 ^m	2 1/2 in	65 ^m
3/4	20	2 3/4	70
1	25	3 3/8	85
1 1/4	32	3 3/4	95
1 1/2	40	3 3/4	100
2	50	4	102
2 1/2	65	4 1/4	108
3	80	4 3/4	121
4	100	5 1/4	146
5	125	7	178
6	150	8	203
8	200	9 3/4	248

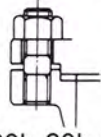
DIMENSIONS JIS 20k. Class 300

SIZE	L	H	W
1/2 in	15 ^m	3 in	76 ^m
3/4	20	3 1/2	89
1	25	4	102
1 1/4	32	4 1/4	108
1 1/2	40	4 1/2	114
2	50	5 1/4	133
2 1/2	65	5 3/4	146
3	80	6 1/4	159
4	100	7	178
5	125	7 3/4	200
6	150	8 3/4	222
8	200	11	279

Y形弁 Y PATTERN VALVE SIZE 1/2"~8" Class JIS 10k. 20k. 30k. ANSI/API 150, 300



200A(JIS 20k. 30k. Class 300)



50A(JIS 20k. 30k. Class 300)

DIMENSIONS JIS 10k. Class 150

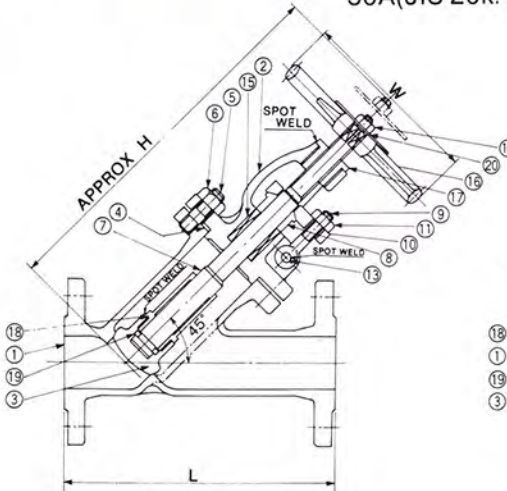
SIZE	L	H	W
1/2 in	15 ^m	5 1/2 in	140 ^m
3/4	20	6	152
1	25	6 1/2	165
1 1/4	32	7 1/4	184
1 1/2	40	8	203
2	50	9	229
2 1/2	65	11	279
3	80	12 1/2	318
4	100	14 1/2	368
5	125	17 1/4	438
6	150	18 1/2	470
8	200	23 1/2	597

DIMENSIONS JIS 20k. 30k. Class 300

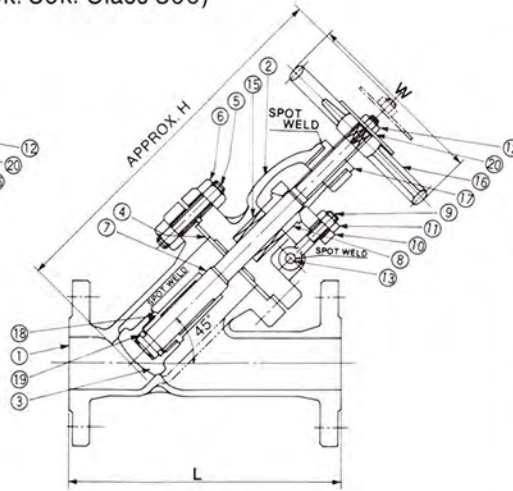
SIZE	L	H	W
1/2 in	15 ^m	6 in	152 ^m
3/4	20	7	178
1	25	8	203
1 1/4	32	9	229
1 1/2	40	10	254
2	50	11	279
2 1/2	65	12	305
3	80	14 1/4	360
4	100	16	406
5	125	19	483
6	150	22	559
8	200	24 1/2	622

MATERIALS

No.	Parts Name	Material
1	Body	CF-8(SCS13)/CF-8M(SCS14)
2	Bonnet	CF-8(SCS13)/CF-8M(SCS14)
3	Disc	CF-8(SCS13)/CF-8M(SCS14)
4	Gasket	ASBESTOS(JIS 10k Class 150) SPIRAL WOUND TYPE(JIS 20k 30k Class 300)
5	Bonnet Bolt	403
6	Nut	A36(SS41) (Unichrome Plated)
7	Stem	304 316
8	Gland	304 316
9	Gland Bolt	304
10	Gland Flange	AISI1025(S25C) (Unichrome Plated)
11	Nut	304
12	Nut	A36(SS41) (Unichrome Plated)
13	Pin	304
15	Packing	ASBESTOS WITH TEFLON
16	Hand Wheel	MALLEABLE IRON(FCMB28)
17	Yoke Sleeve	403-Nitrated
18	Disc Nut	304 316
19	Stem Collar	304 316
20	Name Plate	ALUMINIUM
26	Hand Wheel	CARBON STEEL IRON(SC49)
27	Handle Cover	A36(SS41) (Unichrome Plated)
28	Bolt	A36(SS41) (Unichrome Plated)
29	Shock Bush	CARBON STEEL IRON(SC49)



JIS 10k. Class 150

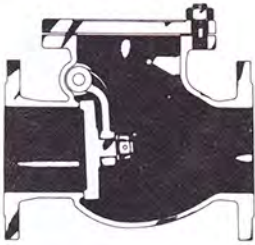


JIS 20k. 30k. Class 300

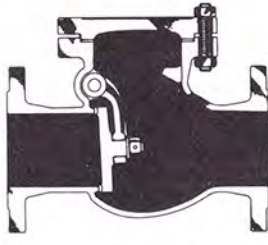
逆止弁 CHECK VALVE

スイング逆止弁 SWING CHECK VALVE SIZE 1½"~12" Class JIS 10k. 20k. 30k. ANSI/API 150, 300

JIS 10k. Class 150



JIS 20k. 30k. Class 300



DIMENSIONS JIS 10k. Class 150

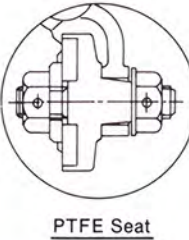
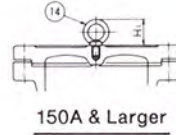
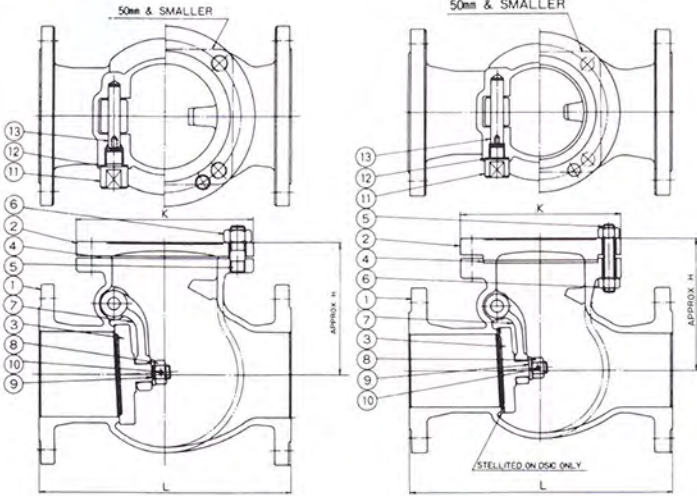
SIZE	L	H
1½" 40 ^{mm}	6½" 165 ^{mm}	4½" 103 ^{mm}
2 50	8 203	4¾" 103
2½ 65	8½ 216	4¾" 124
3 80	9½ 241	5½ 130
4 100	11½ 292	5¾" 150
5 125	13 330	6¾" 160
6 150	14 356	7¾" 185
8 200	19½ 495	8¾" 211
10 250	24½ 622	10¾" 268
12 300	27½ 698	11¾" 301

DIMENSIONS JIS 20k.30k. Class 300

SIZE	L	H
1½" 40 ^{mm}	9½" 241 ^{mm}	5¾" 141 ^{mm}
2 50	10½ 267	5¾" 143
2½ 65	11½ 292	5¾" 143
3 80	12½ 318	6¼" 160
4 100	14 356	7¼" 179
5 125	15¼ 400	7½" 189
6 150	17½ 444	8½" 216
8 200	21 533	9¾" 253
10 250	24½ 622	12¼" 306
12 300	28 711	13¼" 344

MATERIALS

No.	Parts Name	Material
1	Body	CF-8(SCS13) CF-8M(SCS14)
2	Cover	CF-8(SCS13) CF-8M(SCS14)
3	Disc	CF-8(SCS13) CF-8M(SCS14)
4	Gasket	ASBESTOS (JIS 10k. Class 150) SPIRAL WOUND (JIS 20k. 30k. Class 300)
5	Cover Bolt	403
6	Nut	A36(SS41) (Unichrome Plate)
7	Arm	CF-8(SCS13) CF-8M(SCS14)
8	Disc Nut	304 316
9	Washer	304 316
10	Split Pin	304 316
11	Plug	304 316
12	Gasket	ASBESTOS
13	Pin	304 316
14	Eyebolt	A36(SS41) (Unichrome Plate)

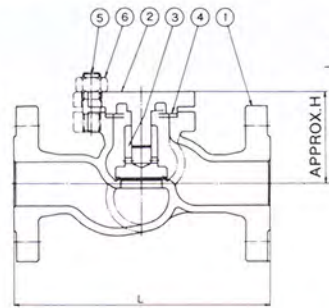
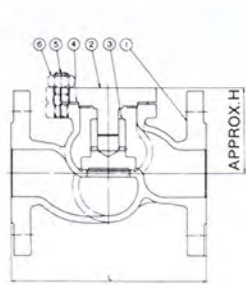
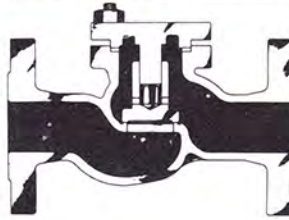


リフト逆止弁 Lift Check Valve SIZE ½"~1½"

JIS 10k. Class 150

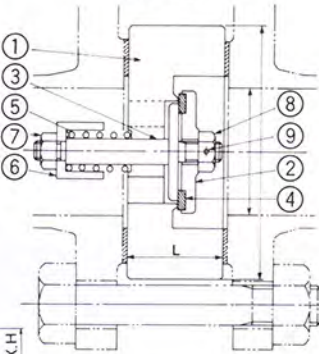


JIS 20k. 30k. Class 300



ウエハー形インライン逆止弁 Wafer Type Inline Check Valve

SIZE ½"~2"



Class JIS 10k. 20k. 30k. ANSI/API 150, 300

DIMENSIONS SIZE ½"~2"

SIZE	d	L	D ₁
½" 15 ^{mm}	½" 15 ^{mm}	1½" 30 ^{mm}	2½" 58 ^{mm}
¾" 20	¾" 20	1¾" 30	2½" 63
1 25	¾" 25	1¾" 35	2½" 74
1½ 40	1¾" 40	1¾" 40	3¼" 88
2 50	1¾" 50	1¾" 48	3¼" 100

MATERIALS SIZE ½"~2"

No.	Parts Name	Material
1	Body	CF-8(SCS13) CF-8M(SCS14)
2	Disc	304 316
3	Stem	304 316
4	Seat	TEFLON
5	Spring	304 316
6	Spring Holder	304 316
7	U-Nut	304 316
8	Nut	304 316
9	Split Pin	304 316

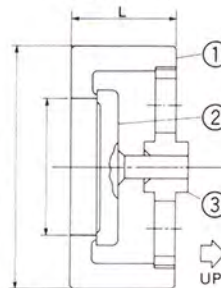
DIMENSIONS JIS 10k. Class 150

SIZE	L	H
½" 15 ^{mm}	4¼" 108 ^{mm}	1½" 49 ^{mm}
¾" 20	4¾" 117	2 51
1 25	5 127	2¼" 53
1½ 40	6½ 165	2¾" 72

DIMENSIONS JIS 20k. 30k. Class 300

SIZE	L	H
½" 15 ^{mm}	6" 152 ^{mm}	2½" 59 ^{mm}
¾" 20	7 178	2¾" 68
1 25	8 203	2¾" 68
1½ 40	9 229	3¼" 82

SIZE 3"~6"

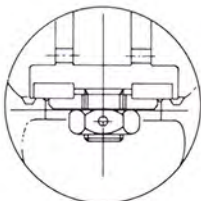


DIMENSIONS SIZE 3"~6"

SIZE	d	L	D ₁
3" 80 ^{mm}	2¾" 70 ^{mm}	2½" 65 ^{mm}	5½" 131 ^{mm}
4 100	3¼" 85	3¾" 80	6¾" 156
5 125	4¼" 110	3¾" 95	7¾" 187
6 150	5¾" 134	4¾" 110	8¾" 217

MATERIALS

No.	Parts Name	Material
1	Body	CF-8(SCS13) CF-8M(SCS14)
2	Cover	CF-8(SCS13) CF-8M(SCS14)
3	Disc	CF-8(SCS13) CF-8M(SCS14)
4	Gasket	ASBESTOS (JIS 10k. Class 150) SPIRAL WOUND (JIS 20k. 30k. Class 300)
5	Cover Bolt	403
6	Nut	A36(SS41) (Unichrome Plate)



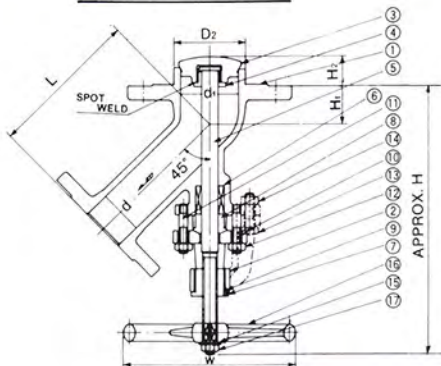
MATERIALS SIZE 3"~6"

No.	Parts Name	Material
1	Body	CF-8(SCS13) CF-8M(SCS14)
2	Disc	CF-8(SCS13) CF-8M(SCS14)
3	Guide	CF-8(SCS13) CF-8M(SCS14)

Y形タンク弁 FLUSH BOTTOM TANK VALVE

SIZE 1/2"~8" Class JIS 10k. ANSI/API 150

外弁式
Disk Open into Tonk

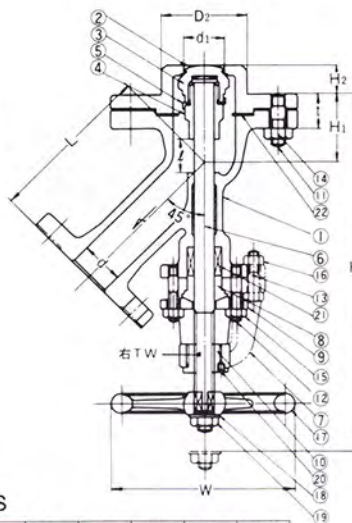


DIMENSIONS

SIZE	d×d ₁	L	D ₂	H	W	H ₁	H ₂
3/4×1	20×25	120	34	220	100	30	30
1×1 1/2	25×40	140	50	255	140	35	34
1 1/2×2	40×50	155	60	300	160	40	34
2×2 1/2	50×65	170	76	335	180	45	38
2×3	50×75	170	88	345	180	50	38
2 1/2×3	65×75	190	88	350	200	50	38
3×4	75×100	200	114	400	250	65	45
4×5	100×125	245	140	500	280	90	48
5×6	125×150	300	170	585	300	110	52
6×8	150×200	330	220	650	355	120	68

UNIT:MM

内弁式
Disk Open into Valve



DIMENSIONS

SIZE	d×d ₁	L	D ₂	H	W	H ₁	H ₂
3/4×1	15×20	120	48	255	100	55	15
3/4×1	20×20	120	50	280	100	55	15
1×1 1/2	25×25	130	55	300	100	60	20
1 1/2×2	40×40	155	80	335	160	65	20
2×3	50×50	170	105	370	180	72	20
2 1/2×4	65×65	190	120	415	200	85	25
3×5	80×80	200	142	465	250	105	25
4×6	100×100	245	176	550	280	120	30
5×8	125×125	260	215	650	300	135	35
6×10	150×150	270	275	740	355	175	35
8×12	200×200	360	330	870	450	200	45

UNIT:MM



Option: manually Gear Operation
Double-acting air cylinder
Single-acting air cylinder

●外弁式

このタイプは、タンク内に弁(Disc)が上昇し開となります。スラリー状の沈着物タンクの底にたまる場合、その層を弁体が突き抜けて開状態になるため、排出が容易となります。又、タンク内容物の重量、および液圧が弁シート部に作用し、逆止弁と同様の効果を発揮し閉止し易い構造です。

●内弁式

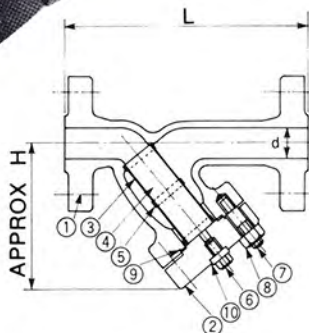
このタイプは、弁(Disc)がバルブの開一閉に関係なくタンク内へ入らないので、タンク底部まで攪拌(かくはん)を十分にに行い、又はタンク内が反応中負圧になるか、或いは負圧状態で運転する場合に、逆止弁と同様の効果を発揮するため、負圧に対し閉止し易い構造です。

MATERIALS

No.	Parts Name	Material	No.	Parts Name	Material
1	Body	SCS13 SCS14	11	Gland Bolt	304
2	Yoke	DUCTILE IRON(FCD40)	12	Nut	304
3	Disc	304 316	13	Yoke Bolt	SS41 (Unichrome Plated)
4	Disc Nut	304 316	14	Nut	SS41 (Unichrome Plated)
5	Stem	304 316	15	Washer	SS41 (Unichrome Plated)
6	Packing	ASBESTOS WITH TEFLON	16	Hand Wheel	MALLEABLE IRON(FOMB28)
7	Sleeve	403-Nitrated	17	Nut	SS41 (Unichrome Plated)
8	Grand	304 316	18	Seat	SCS13 SCS14
9	Set Screw	Steel(SS41)	19	Stud Bolt	403
10	Gland Flange	S25C (Unichrome Plated)	20	Nut	SS41 (Unichrome Plated)
			21	Gasket	ASBESTOS

Y形ストレーナ Y-PATTERN STRAINER

SIZE 40A~250A Class JIS 10k.~30k. ANSI/API 150, 300



DIMENSIONS JIS 10k. 20k. Class 150

SIZE	d	L	H
1 1/2" (40mm)	1 3/4" (40mm)	8 3/4" (220mm)	5 1/2" (140mm)
2	50	9 3/4" (250)	6 1/2" (165)
2 1/2	65	11 1/4" (300)	7 1/2" (190)
3	80	12 3/4" (320)	8 1/4" (210)
4	100	14 1/4" (380)	9 3/8" (245)
5	125	18 1/4" (480)	12 3/8" (315)
6	150	21 3/8" (550)	14 3/8" (375)
8	200	23 3/8" (600)	17 3/8" (445)
10	250	29 3/8" (760)	21 3/8" (550)

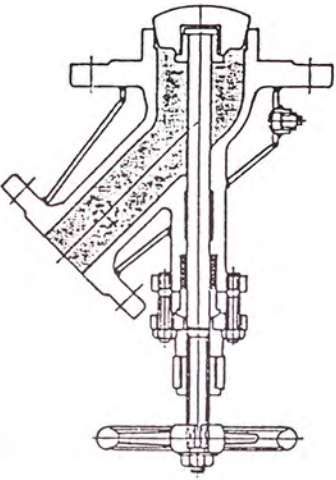
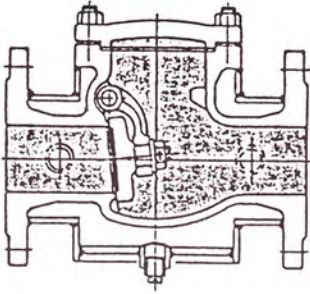
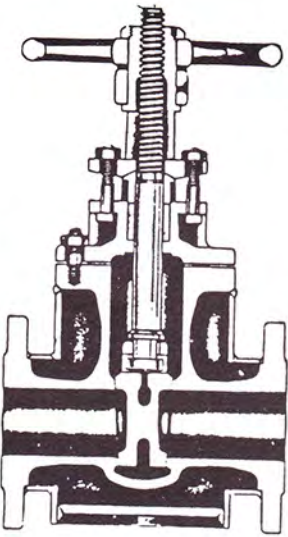
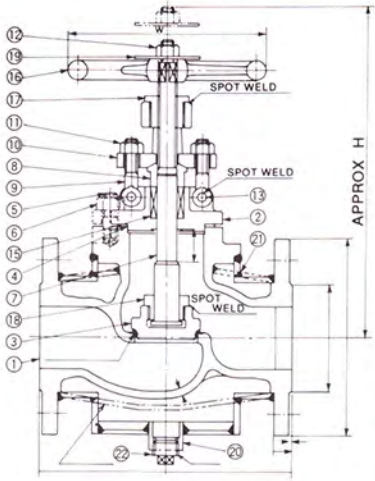
DIMENSIONS Class 300

SIZE	d	L	H
1 1/2" (40mm)	1 3/4" (40mm)	9 3/4" (240mm)	6 1/2" (170mm)
2	50	9 3/8" (250)	7 1/8" (200)
2 1/2	65	11 1/8" (300)	8 1/8" (220)
3	80	13 3/8" (350)	9 3/8" (250)
4	100	14 3/8" (380)	11 1/8" (300)
5	125	18 3/8" (480)	13 3/8" (350)
6	150	21 3/8" (550)	15 3/8" (405)
8	200	24 3/8" (620)	20 3/8" (510)
10	250	29 3/8" (760)	24 3/8" (610)

MATERIALS

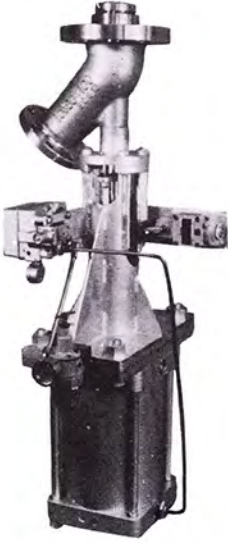
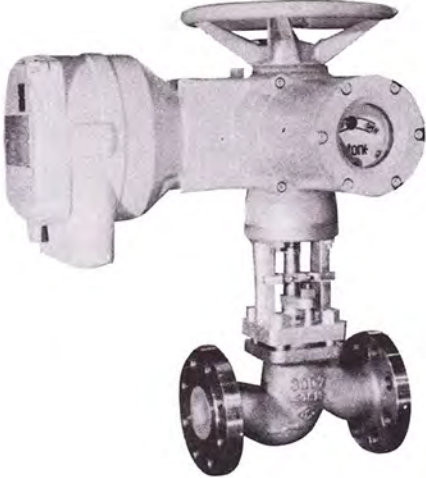
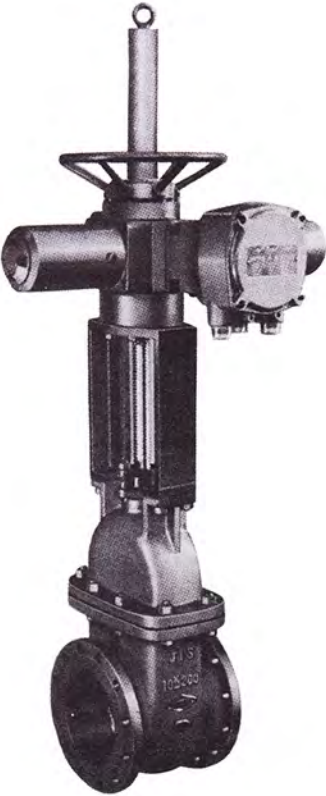
No.	Parts Name	Material
1	Body	CF-8(SCS13)CF-8M(SCS14)
2	Cover	CF-8(SCS13)CF-8M(SCS14)
3	Panching Metal	304 316
4	Net	304 316
5	Ring	304 316
6	Plug	304 316
7	Stud Bolt	304
8	Nut	304
9	Gasket	TEFLON
10	Gasket	TEFLON

JACKETED VALVES



Jacketing water-way flanges to eliminate cold spots
 Heating is normally by steam, organic fluids.

電動モータ エアシリンダタイプ Electric Operation/Pneumatic Operation





八阪バルブ工業株式会社

〒584-0023 大阪府富田林市若松町東3丁目2-6
(大阪府富田林中小企業団地内)
TEL : (0721) -25-6211 (代表)
FAX : (0721) -25-6246

YASAKA VALVE INDUSTRY CO.,LTD.

2-6, WAKAMATSU CHO HIGASHI 3-CHOME
TONDABAYASHI, OSAKA, 584-0023 JAPAN.
TELEPHONE : (0721)25-6 2 1 1
FACSIMILE : (0721)25-6 2 4 6